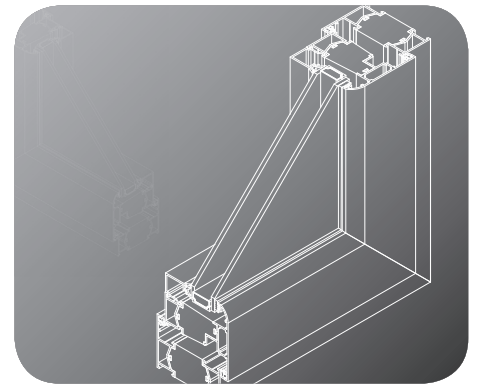


PURe[®] casement window system



Scope

The PURe[®] casement window has been designed to meet current and future building regulation, with impressive U values and thermal performances. PURe[®] is an evolved generation of aluminium window systems manufactured in the UK. It combines the long life and low maintenance of aluminium externally with a patented high insulation PUR foam thermal barrier. PURe[®] casement windows are capable of accepting glazing up to 50mm thick depending on weight.

Materials

- All aluminium sections are extruded using Aluminium Alloy 6060 or 6063 T6 to BS EN 755 part 9 2008 or BS EN 12020-2.
- Polyamide thermal barriers are manufactured in accordance with PA66 GF25.
- Gaskets are manufactured in accordance with BS3734.

Finishes

PURe[®] casement window sections are available typically in two finishes:

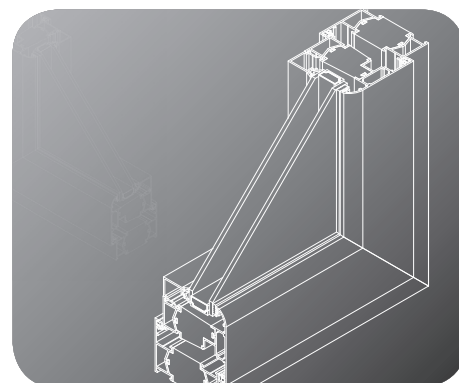
- Polyester Powder Coating to BS EN 12206-1: 2004 Part 1 – painted in house. Surface finish at 40 microns standard, or enhanced to 60 microns for marine environments, in accordance with ISO 9001, ISO 14001 and ISO 18001.
- Anodised finishes are to BS3897:1991 to a minimum of 25 microns (AA25), supplied in either satin or polished finish in a limited range of colours.

Construction

PURe[®] is constructed using mitred corners, joined with crimped or mechanical cleats; alignment chevrons assist in clean, accurate mitres. Integral transoms and mullions are scribed around the outer frames and fixed with either screw ports or shear blocks.

A proprietary sealant is used on all metal joints in line with good practice. Opening window frames are designed to be inserted directly into the outer frames using friction stays

PURe[®] casement window system



Technical Data

Testing

Tested to PAS24, BS6375-2 and BS6375-3

Patent Pending Number

1500459.1

Typical* sizes

PURe [®] Casement	1500mm (w) x 1500mm (h)
----------------------------	-------------------------

*For guidance only – when exceeded please consult our technical department

Weather Rating

BS6375 part 1

Air Permeability	600 Pa
Water Tightness	600 Pa
Wind Resistance	2400 Pa

Glazing

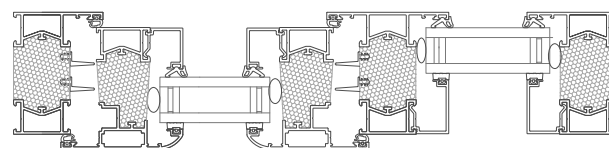
Thickness	28mm - 50mm
-----------	-------------

For thicker options please consult our technical department

Average U values

Residential CEN standard	1230 x 1480
28mm Double Glazed Unit	1.24 W/m ² K
48mm Triple Glazed Unit	0.76 W/m ² K
Commercial CEN standard	1230 x 1480
28mm Double Glazed Unit	1.19 W/m ² K
48mm Triple Glazed Unit	0.73 W/m ² K

For glazing specification please contact our technical department



Environmental

PURe[®], when used on projects involved in a BREEAM assessment, or within the Code for a Sustainable Built Environment and the Code for Sustainable Homes (which therefore involves the Green Guide to specification) can offer significant benefits. For project specific assistance, please contact our specification team.

Specification.

Please contact our team for advice on product suitability, calculations and NBS or bespoke specifications.

All data in this specification sheet is courtesy of Senior Architectural Systems. Soundcraft Doors and Windows works in partnership with Senior Architectural Systems.

Soundcraft, Orchard Building, Hewitts Road, Orpington, Kent. BR6 7QL

T: 01959 533778 E: sales@soundcraft-doors.co.uk www.soundcraft-doors.co.uk

Soundcraft is a trading name of JKR Services Ltd. Registered Office: Chandler & Georges, 75 Westow Hill, London SE19 1TX. Registered No: 2201723

