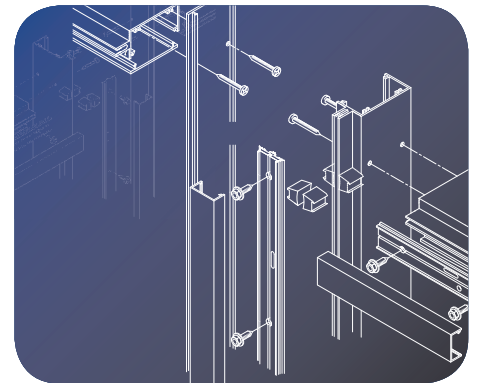


SCW curtain wall system



Scope

The SCW curtain wall system has been designed to meet current building regulations. It is a semi unitised, zone drained and pressure equalized system and offers a slim 50mm sightline, with a choice of 3 mullion and 4 transom depths. The system is capable of being fabricated into ladders for quick assembly on site and of accepting glazing up to 28mm thick depending on weight. Other profiles can be incorporated giving flexibility of design.

Materials

- All aluminium sections are extruded using Aluminium Alloy 6060 or 6063 T6 to BS EN 755 part 9 2008.
- Polyamide thermal barriers are manufactured in accordance with PA66 GF25.
- Gaskets are manufactured in accordance with BS3734.

Finishes

SCW curtain wall sections are available typically in 3 finishes:

- Polyester Powder Coating to BS EN 12206: 2004 Part 1 - painted in house in single or dual colour, and surface finish at 40 microns standard, or enhanced to 60 microns for marine environments, in accordance with ISO9001, ISO14001 and ISO18001.
- Anodised and Anolok finishes are to BS3897: 1991 to a minimum of 25 microns (AA25), supplied in either satin or polished finish in a limited range of colours.
- Mill finish.

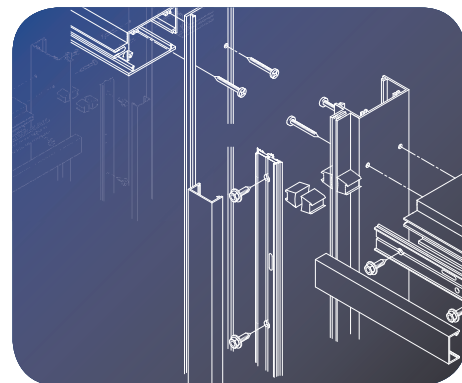
Construction

SCW framing is constructed using mechanical methods at butt joints, assembling using stainless steel self-tapping screws into integral screw ports extruded into the body of the sections, directly through square cut adjoining component parts. A proprietary sealant is used on all metal to metal joints and gasket to gasket joints during assembly in line with good practice.

Vertical sections are designed to run through which enables individual panels to be made separately and assembled on site for large or multi-panel frames.

Optional shear blocks are available for joint and sectional reinforcing or expansion joints and larger spans, over 1200mm.

SCW curtain wall system



Technical Data

Weather rating

BS6375 Part 1

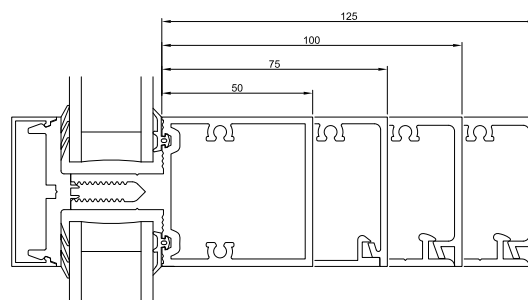
Air Permeability	600 Pa (Class C)
Water Tightness	600 Pa
Wind Resistance	2400 Pa

Glazing

Thickness	6mm - 28mm
-----------	------------

Average U values

Due to the variety of profiles, mullion spacings, glass and panel specifications on each project; a specific U-value calculation will be required. Please contact our Technical Department.



Environmental

SCW when used on projects involved in a BREEAM assessment, or within the Code for the Sustainable Built Environment and the Code for Sustainable Homes (which therefore involves the Green Guide to specification) can offer significant benefits.

Specification.

Please contact our team for advice on product suitability, calculations and NBS or bespoke specifications.

All data in this specification sheet is courtesy of Senior Architectural Systems. Soundcraft Doors and Windows works in partnership with Senior Architectural Systems.

Soundcraft, Orchard Building, Hewitts Road, Orpington, Kent. BR6 7QL

T: 01959 533778 E: sales@soundcraft-doors.co.uk www.soundcraft-doors.co.uk

Soundcraft is a trading name of JKR Services Ltd. Registered Office: Chandler & Georges, 75 Westow Hill, London SE19 1TX. Registered No: 2201723

